

MX 50

MX 50 Entry Terminal

Innovative solutions for parking lot operators

The simple to use, equally easy to operate, and highly attractive stainless steel MX 50 parking entrance solution is a great way to save time and money on parking lot operation.

Either an RFID token or paper ticket (it's up to you) is administered to the driver at the entrance to the lot either by pressing a button, or automatic identification of the vehicle. For further convenience, monthly subscribers can gain instant access through a proximity card reader. This same token is later used for payment and/or exit from the premise.

Thanks to an intuitive internal build, with simple to reach parts and an interior device mounted on sturdy sliding tracks, access by maintenance workers is quick and easy.

Benefits include:

- Push of a button ticket/token dispenser and/or automatic vehicle recognition
- 16.5 cm (6.5 inch) high-resolution TFT color screen display
- Intercom for communication between patrons and staff
- Easily refillable RFID token dispenser which holds more than 2,000 tokens
- Low ticket/token status automatically recognized by the system
- Quick and easy maintenance of all parts



MX 50

MX 50 Entry Terminal

Features

Suitable for all environments

- Indoors or outdoors, with or without shelter
- Operates over a very wide temperature and humidity range
- Built-in cooling fan

Ergonomic design

- Compact design
- Small footprint
- Mounted on sturdy sliding tracks for easy maintenance

Operation

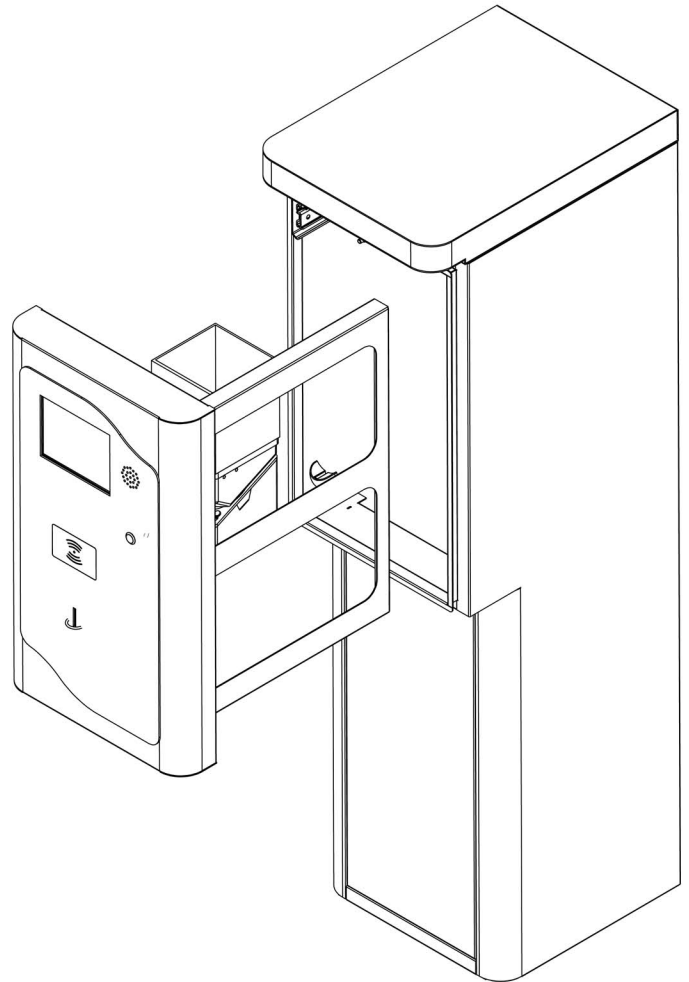
- LED illumination on front panel
- 16.5 cm (6.5 inch) high-resolution TFT color display
- Intercom system

Security

- The screen is protected by a 10 mm (0.4 inch) thick window
- Anti-vandalism metal cases
- Stainless steel construction with embedded doors and safety hinges

Modular structure

- Ticket or token dispenser
- Proximity reader for monthly parkers (subscribers)
- Barcode reader



MX 50

MX 50 Entry Terminal

Technical Specifications

Environment

Indoor and outdoor

Power supply: 24VDC

Operating temperature: From -20° C to +50° C (4° F to 122° F)

Storage temperature: From -20° C to +75° C (4° F to 167° F)

Cabinet Dimensions

W x H x D: 352 x 1315 x 482 cm (13.86 x 51.81 x 18.99 inches)

Weight: 58 kg (127.8 lbs)

Enclosure: 2 mm (.08 inches) thick steel

Lock: Security lock

Door: Burglar and vandalism-proof safe door with a four point lock

Finishing: Painting according to RAL color tone

