

# FX 50

FX 50 Exit Terminal

## Innovative solutions for parking lot operators

The FX 50 exit terminal is the final stage in the parking process, allowing your customers to exit your premises effortlessly.

Those who have settled their parking fee at the pay station can simply insert their paper ticket or RFID token into the automatic reader, and the gate will open.

If you've chosen a token system, once payment's been made, the system automatically wipes the data clean from each token, making it once again available to be reused and dispensed at the entrance, via the Focus MX 50 entry terminal.

For those who have not yet paid, the FX 50 exit terminal offers a 'Pay at Exit' feature utilizing a magnetic card reader to accept credit card payments on the spot, and issue a receipt.

This smart terminal also includes a built-in intercom system and a proximity card reader, which permits monthly customers to exit with a simple wave of their card. For further convenience, the system is able to recognize vouchers (such as those validated by surrounding businesses) by bar-code reader.

### Benefits include:

- Ticket/RFID token reader and/or automatic vehicle recognition
- Proximity card reader, which permits monthly subscribers to exit with a simple wave of their card



- Real-time alerts to empty the token collection box, when needed (for token-based systems)
- Automatic re-setting of each token after submission, so it's instantly available for re-use (for token-based systems)
- Pay at Exit' feature with magnetic credit card reader and receipt functionality
- Intercom for communication between patrons and staff
- Quick and easy maintenance of all parts

# FX 50

## FX 50 Exit Terminal

### Features

#### Suitable for all environments

- Indoors or outdoors, with or without shelter
- Operates over a very wide temperature and humidity range
- Built-in cooling fan

#### Ergonomic design

- Compact design
- Small footprint
- Mounted on sturdy sliding tracks for easy maintenance

#### Operation

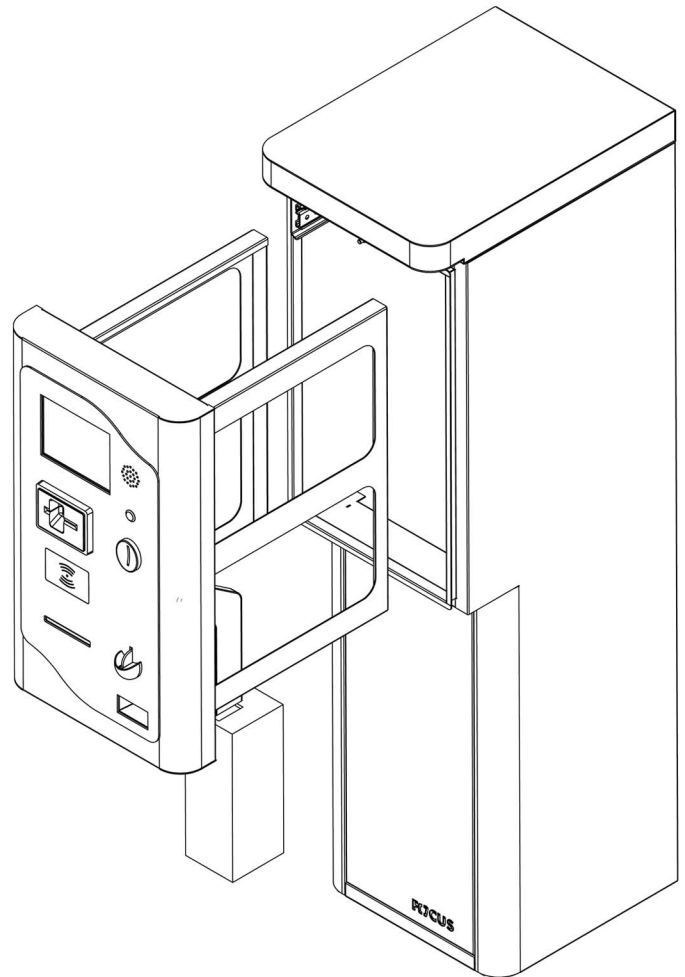
- LED illumination on front panel
- 16.5 cm (6.5 inch) high-resolution TFT color display
- Intercom system

#### Security

- The screen is protected by a 10 mm (0.4 inch) thick window
- Anti-vandalism metal cases
- Stainless steel construction with embedded doors and safety hinges

#### Modular structure

- Paper ticket/token dispenser
- Proximity reader for monthly parkers (subscribers)
- Magnetic card reader to accept credit cards, debit cards, and office/hotel room keys, for on-the-spot payment
- Receipt printer
- Barcode reader for validated parking



# FX 50

## FX 50 Exit Terminal

### Technical Specifications

#### Environment

Indoor and outdoor

Power supply: 24VDC

Operating temperature: From -20° C to +50° C (4° F to 122° F)

Storage temperature: From -20° C to +75° C (4° F to 167° F)

#### Cabinet Dimensions

W x H x D: 352 x 1315 x 482 cm (13.86 x 51.81 x 18.99 inches)

Weight: 58 kg (127.8 lbs)

Enclosure: 2 mm (.08 inches) thick steel

Lock: Security lock

Door: Burglar and vandalism-proof safe door with a four point lock

Finishing: Painting according to RAL color tone

